

“Bokumatic” Automatic Recess Tool Holders

Designed for Multiple Spindle Screw Machines



Model U-DB

Model A-DB

Model C-DB



BOKUM TOOL COMPANY inc.

75 Years of Precision Manufacturing

For Machines

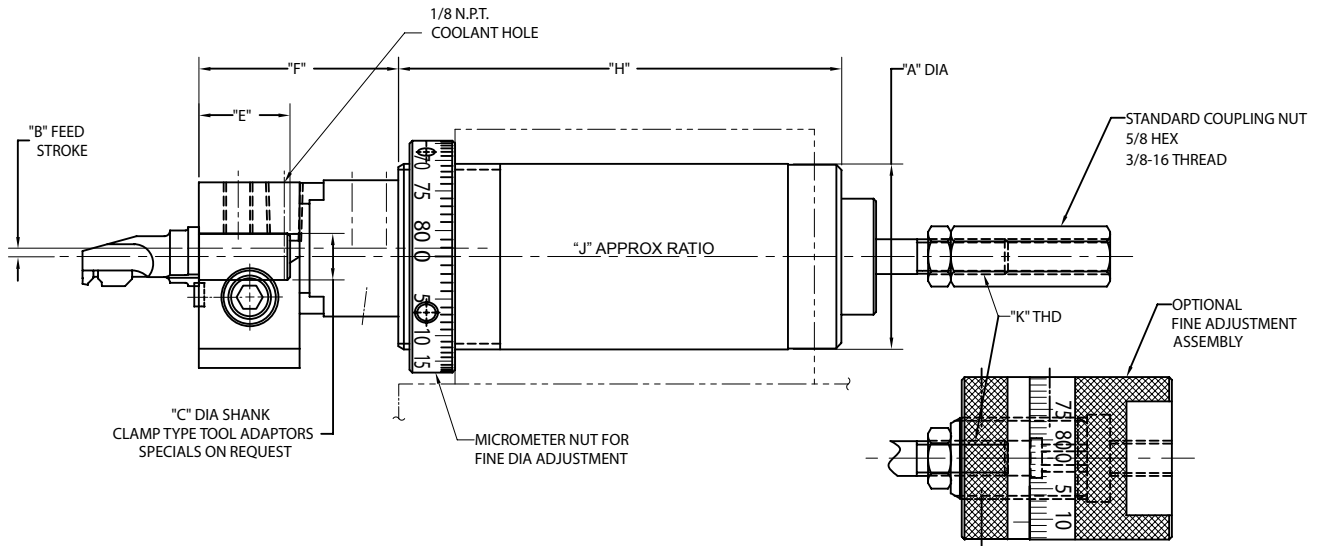
7/16" - 5 1/2"

Capacity

BOKUM TOOL COMPANY

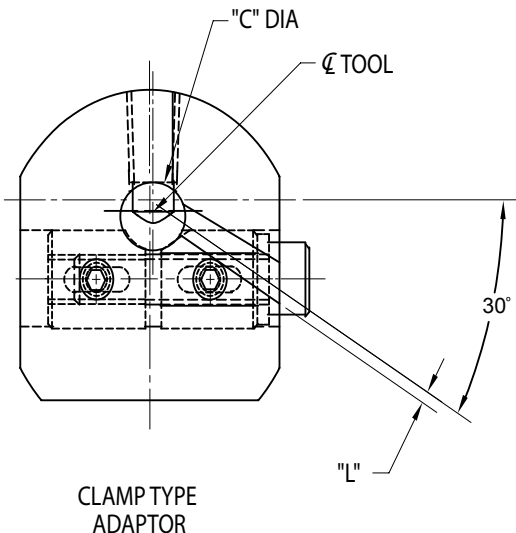
Models A-DB, C-DB and U-DB Recess Tool Holders DESIGNED FOR MULTIPLE SPINDLE SCREW MACHINES

- The Bokumatic Draw Bar Attachment was introduced in 1970.
- Our Spiral Cam Design provides exceptional accuracy for holding closer tolerances.
- Simple mechanism consists of (3) primary components.
 - Repair parts are inexpensive and easily installed.
- Tool change time is minimized with our optional "Pre-set Feature".
 - Our Circular form tools engage a positive locator, eliminating the need to adjust for diameter after resharpening.
- Common applications are back chamfering before cut-off and thread recessing before tapping
 - Bokum stocks a full line of standard recess tools
 - Complex special cutting tools available as well (Please consult our engineering department for a quote on your job).



| MODEL | A | B | C | E | F | H | J | K |
|-------|------------------|------|---|------|------|------|-------|---------|
| A-DB | 1.4995 1.4990 | .100 | 3/8, 1/2, 5/8 | 1.25 | 1.38 | 4.68 | 6:1 | 3/8-16 |
| C-DB | 1.9995 1.9990 | .125 | 1/2, 5/8, 3/4, 1 | 1.00 | 2.19 | 4.88 | 7:1 | 3/8-16 |
| U-DB | 2.9995 2.9990 | .250 | 1/2, 5/8, 3/4, 1 1 1/4, 1 3/8, 1 1/2 | 1.50 | 2.90 | 5.25 | 4.5:1 | 7/16-20 |

Tool Adaptors with RR designation are for Radial Relief type tools. Adaptors with CF designation are for Circular Form type tools



| ADAPTOR NO. FOR A-DB | C Shank Dia | L Tool Offset | Normal Dia. of Hole To Be Recessed |
|----------------------|---|---------------|------------------------------------|
| A(shank dia.) RR | 3/8, 1/2, 5/8" | .000 | 1/8" - 1 3/4" |
| A(shank dia.) CF-1 | | .026 | 1/4" - 1" |
| ADAPTOR NO. FOR C-DB | | | |
| CC(shank dia.) RR | 1/2, 5/8, 3/4, 1" | .000 | 1/8" - 1 3/4" |
| CC(shank dia.) CF-1 | | .026 | 1/4" - 1" |
| CC(shank dia.) CF-2 | | .062 | 3/4" - 1 3/4" |
| ADAPTOR NO. FOR U-DB | | | |
| UC(shank dia.) RR | 1/2, 5/8, 3/4, 1" 1 1/4, 1 3/8, 1 1/2" | .000 | 1/8" - 3" |
| UC(shank dia.) CF-1 | | .026 | 1/4" - 1" |
| UC(shank dia.) CF-2 | | .062 | 3/4" - 1 3/4" |
| UC(shank dia.) CF-3 | | .108 | 1 1/4" - 3" |



BOKUM TOOL COMPANY inc

32301 Dequindre Road • Madison Heights, MI 48071 • 248-585-0222 phone • 248-585-4855 fax • www.bokumtoolco.com